

— OFFICE POD SERIES —



CREATE AN IDEAL WORKING
ENVIRONMENT IN ANY SPACE
WITH THE POD

Index

7	Designed to Fit
9	The Advantages
10-11	Product Details
12-13	S POD (Single Pod)
14-15	W POD (Work Pod with Desk)
16-17	C POD (Chat Pod with Shelf)
18-19	D POD (Double Pod)
20-21	M POD (Meeting Pod)
22-23	Designed to Fit
24	Applications
26-27	Features
28	Acoustics
29	Standards & Testing
30-33	Specifications, Colours & Finishes



PEACE AND QUIET IN AN INSTANT

When you need to work with maximum focus and minimal distraction, just get into a POD.

It's a compact workspace with huge benefits. Each POD is highly ergonomic and functional, packed with all the technological goodness you need to stay connected to, or away from, the outside world—anytime.

Ideal for uninterrupted work, holding discussions, making important calls, and running teleconferences.





Designed To Fit

The **POD** was born to address two core issues relating to open-plan environments

Privacy

Keep your business YOUR business

Get physical and acoustic privacy away from the chaos of your busy workplace. Whether it's securing that business deal or taking a personal call.

More Room

One Pod, many uses

While open-plan work environments are great for culture and collaboration, sometimes you just need room away from distractions.



THE ADVANTAGES



HIGH ACOUSTIC RATING

Beautifully designed and using carefully selected materials with best absorption and isolation performance.
TUV - 32 DB / NIC



EASY TO ASSEMBLE

Flat packed & can be up and running in 1.5 hours



HIGHEST QUALITY

Sophisticated automation machinery ensures consistency of quality, while robust construction using galvanised materials creates the finest quality.



RETRACTABLE & PORTABLE

It is designed to be easily dismantled, moved, and reinstalled. Integrated ball bearing to roll around allows ease of mobility in any space.



ENERGY EFFICIENT

Sensor-based on-off switch with external light in-use function and ventilation fan. To ensure the electricity consumption is as low as possible.



COMFORTABLE AND BREATHABLE

Work comfortably in a well-ventilated space with great acoustic properties.

SERENITY

IN STYLE

The POD showcases sleek curves and contemporary arches that bring modern sophistication to any work space. It is designed to fit seamlessly yet add an air of calm and serenity to even the busiest of work environments. Minimalist design complement elegant furnishings to create the ultimate work space that is

ergonomic, convenient, and conducive. Effective air-circulation and comfortable seating allows for uninterrupted work experience. Meanwhile, its screens provide excellent attenuation for a perfectly silent and isolated work environment.

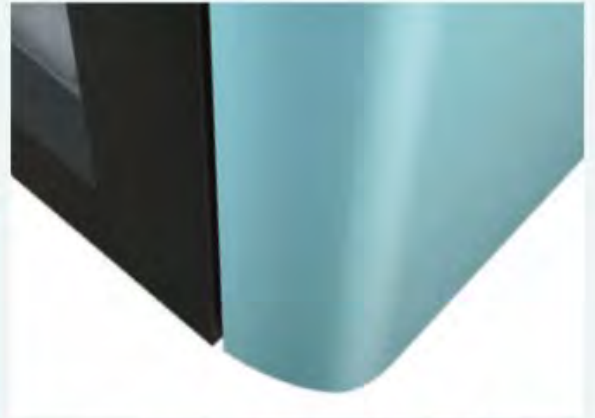
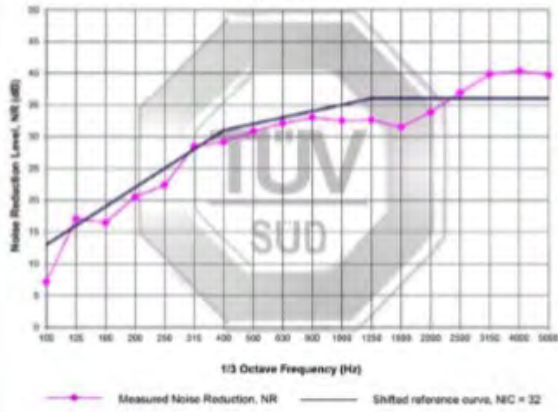


Figure 1 : Noise Isolation Performance of Phone Booth
(NIC 32)



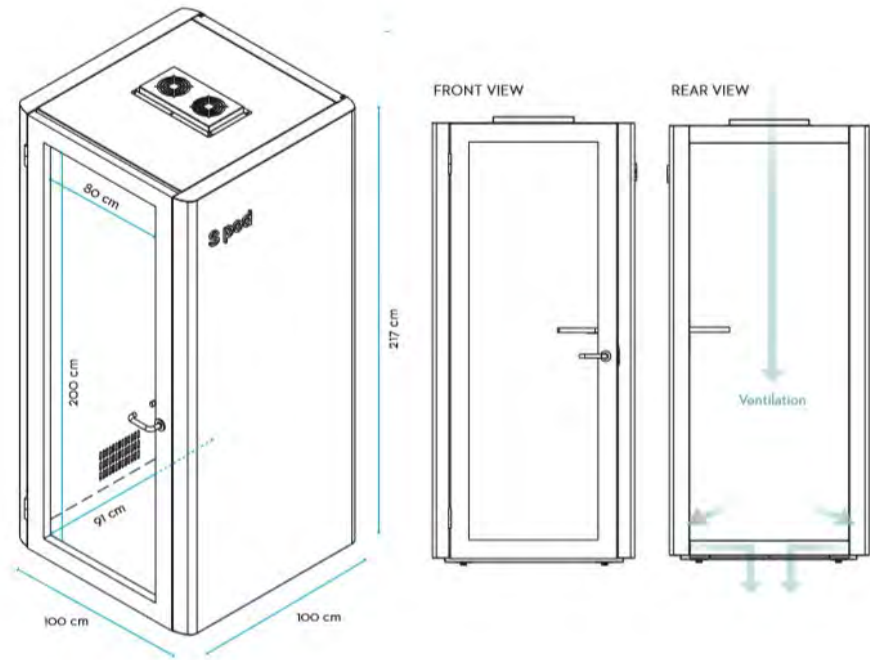
ACOUSTICS TESTING
CERTIFIED BY
TUV SINGAPORE



S POD

SINGLE PERSON POD - Includes the Laminated Shelf





S POD - SINGLE PERSON OFFICE POD is designed to fit 1 person.

The S POD is a single person private space suitable for uninterrupted work and making important calls.

S POD is a comfortable and well ventilated space with great acoustic properties, resulting in increased employee efficiency and productivity.

Power and connectivity are seamless, with continuous power supply for your gadgets and direct connection to your office network.

Materials used:

- Structural Strength Wall Detail: Electro galvanised 1.2mm thick steel - All metal construction.
- 10mm Double Laminated Glass Door and rear Wall
- Power & USB Charging Ports
- Lighting: 18w 12Vdc Recessed LED Strip.
- High Acoustic Rating - Beautifully designed and using carefully selected materials with the best absorption and isolation performance. TUV-32dB/NIC.
- Fabric Material: Polyester Fiber Acoustic Material.
- Fire Rating: Acoustic Board, Carpet and Polyester Foam Fire Rated.
- Full Specification on Page 30

DIMENSIONS

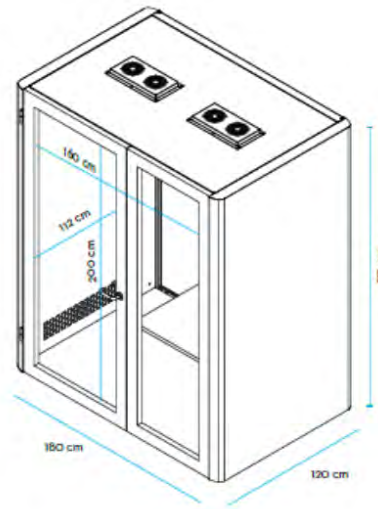
S POD - Includes Laminated Shelf

Freight dimensions	2280 x 1140 x 670h
Cubic	1.74m ³
Packing Weight	430kg
Net Weight	350kg
Internal dimensions	800 x 910 x 2000h
External dimensions	1000 x 1000 x 2170h
Area	1.9m ³

W POD

WORK POD 1 PERSON - Includes the Laminated Table





W POD - 1 PERSON OFFICE POD is designed to fit 1 person.

W POD - Calm and connected.

When you need to work in absolute focus and privacy, the W POD is perfect. It comes with a laminated worktop/desk and is a comfortable and well ventilated space with great acoustic properties, resulting in increased employee efficiency and productivity.

W POD seats 1 person comfortably, and is soundproofed for absolute quiet, making it also perfect for phone and video calls. With its glass walls all around to allow daylight into the booth, it creates a great and cosy working environment.

W POD is perfect for big discussions and meetings for groups of up to 10 people, the W POD is a large space designed for maximum capacity, connectivity and efficiency. W POD is a comfortable and well ventilated space with great acoustic properties, resulting in increased employee efficiency and productivity.

DIMENSIONS

W POD - Includes Laminated Table

Freight dimensions	2280 x 850 x 1420h
Cubic	6.8m ³
Packing Weight	540kg
Net Weight	430kg
Internal dimensions	1600 x 1120 x 2000h
External dimensions	1800 x 1200 x 2170h
Area	4.7m ³



- Full Specification on Page 31

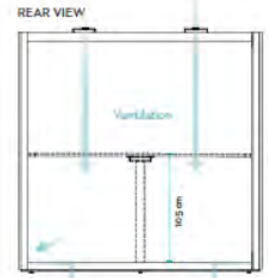
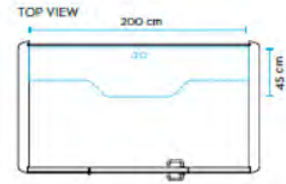
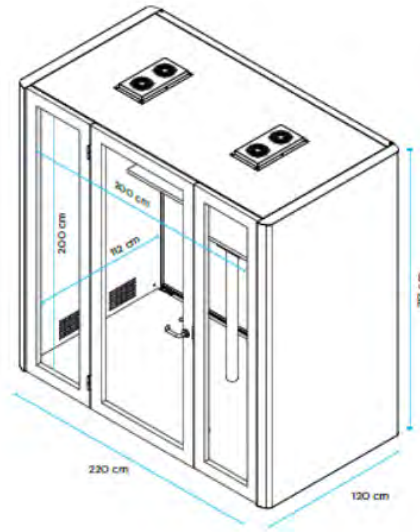
C POD

CHAT POD 2/3 PERSON - Includes the Laminated Table





- 1 Laminated Glass & Dorma Locksets
- 2 Working Table & Chairs
- 3 AH Meyer Power & USB Charging
- 4 LED Strip Light
- 5 Ventilation Access
- 6 Motion Sensor
- 7 Wireless Dimmer



C POD - 1/3 PERSON OFFICE POD is designed to fit 1/3 people.

C POD - Distraction-free Discussions

The C POD is a great functional working space designed to seat up to 2 people comfortably or 3 people for a group discussion. It is ideal for co-working tasks like small discussions, interviews, brainstorming, phone calls and video conferences: all this with minimal distractions.

The C POD comes with a laminated worktop/desk and is a comfortable and well ventilated space with great acoustic properties, resulting in increased employee efficiency and productivity. With its glass walls all around to allow daylight into the booth, it creates a great and cosy working environment.

The C POD is a space designed for maximum capacity, connectivity and efficiency. C POD is a comfortable and well ventilated space with great acoustic properties, resulting in increased employee efficiency and productivity.

DIMENSIONS

C POD - Includes Laminated Table

Freight dimensions	2280 x 1000 x 1420h
Cubic	3.3m3
Packing Weight	800kg
Net Weight	650kg
Internal dimensions	2000 x 1120 x 2000h
External dimensions	2200 x 1200 x 2170h
Area	2.64m3

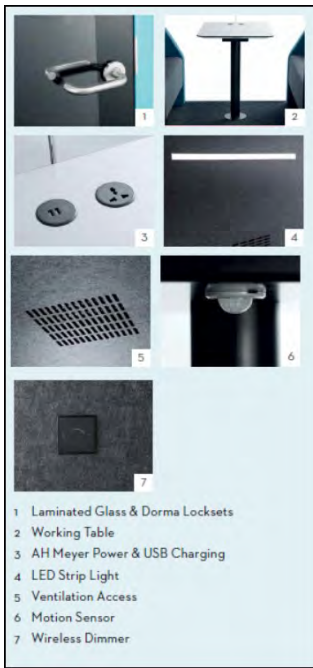


- Full Specification on Page 31

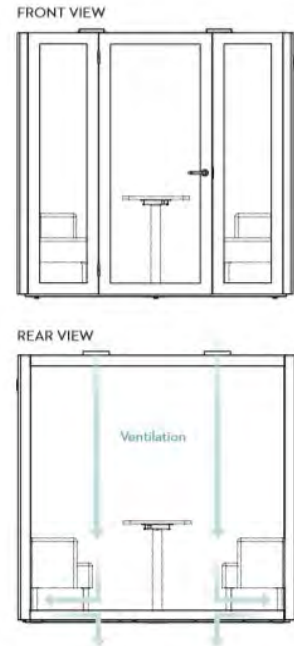
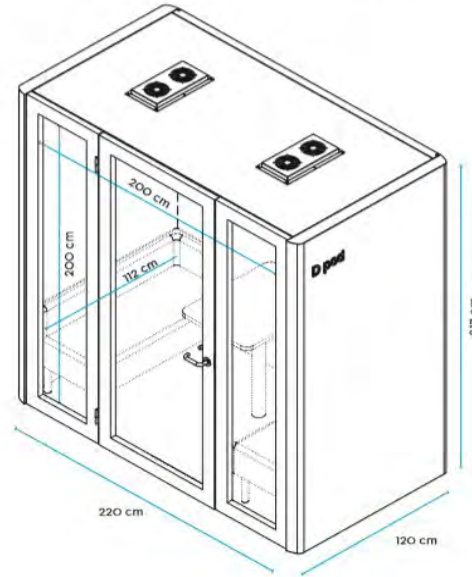
D POD

2/4 PERSON POD - Includes the Laminated Table and Sofas





- 1 Laminated Glass & Dorma Locksets
- 2 Working Table
- 3 AH Meyer Power & USB Charging
- 4 LED Strip Light
- 5 Ventilation Access
- 6 Motion Sensor
- 7 Wireless Dimmer



D POD - 2/4 PERSON OFFICE POD is designed to fit 2/4 people.

When you need to work with maximum focus and minimal distraction, just get into a D POD.

D POD is perfect for holding meetings, brainstorming sessions, one-on-one conversations, as well as a place to rest and rejuvenate away from the disturbance of an open space.

D POD is a comfortable and well ventilated space with great acoustic properties, resulting in increased employee efficiency and productivity.

Power and connectivity are seamless, with continuous power supply for your gadgets and direct connection to your office network.

Materials used:

- Lighting: 18w 12Vdc Recessed LED Strip.
- High Acoustic Rating - Beautifully designed and using carefully select-ed materials with the best absorption and isolation performance. TUV-32dB/NIC.
- Structural Strength Wall Detail: Electro galvanised 1.2mm thick steel -All metal construction.
- Fabric Material: Polyester Fiber Acoustic Material.
- Fire Rating: Acoustic Board, Carpet and Polyester Foam Fire Rated
- Full Specification on Page 32

DIMENSIONS

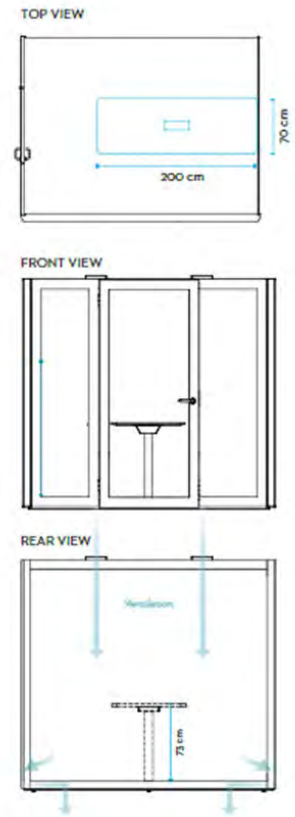
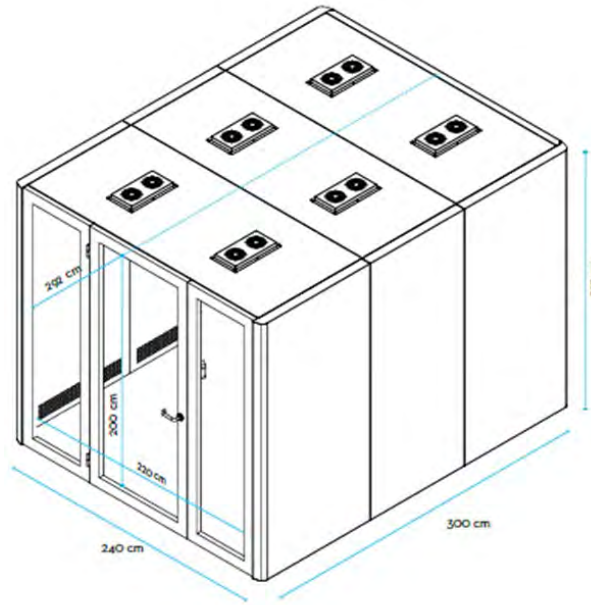
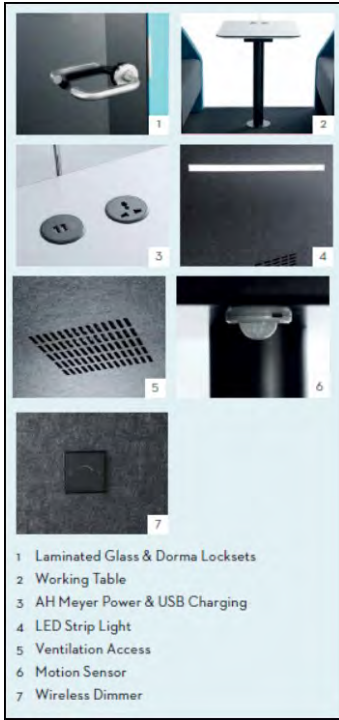
D POD - includes Sofas & Table

Freight dimensions	2280 x 1000 x 1420h
Cubic	3.24m3
Packing Weight	630kg
Net Weight	500kg
Internal dimensions	2000 x 1120 x 2000h
External dimensions	2200 x 1200 x 2000h
Area	2.24m3

M POD

MEETING POD 6/10 PERSON - Includes the Laminated Table





M POD - 6/10 PERSON OFFICE POD is designed to fit 6/10 people.

M POD is maximised for meetings.

M POD is perfect for big discussions and meetings for groups of up to 10 people, the M POD is a large space designed for maximum capacity, connectivity and efficiency.

All the while keeping its outside surroundings quiet and undistracted. Its even spacious enough to be furnished with sofas, tables, chairs, white boards, screens and even plants for a comfortable working environment.

M POD is a comfortable and well ventilated space with great acoustic properties, resulting in increased employee efficiency and productivity.

Power and connectivity are seamless, with continuous power supply for your gadgets and direct connection to your office network.

DIMENSIONS

M POD - Includes Laminated Table

Freight dimensions	2 @ 2380 x 1100 x 1300h
Cubic	6.8m ³
Packing Weight	1530kg
Net Weight	1300kg
Internal dimensions	2200 x 2920 x 2000
External dimensions	2400 x 3000 x 2170
Area	6.8m ³

- Full Specification on Page 33

DESIGNED TO FIT

The acoustic POD was born to address two core issues relating to open plan environments: firstly, the need for physical and acoustic privacy, and secondly, the need for internal rooms.

DESIGNED TO FIT

Made to be portable and flexible in various sizes, the POD is ideal for a range of different uses.

OPEN-PLAN OFFICE

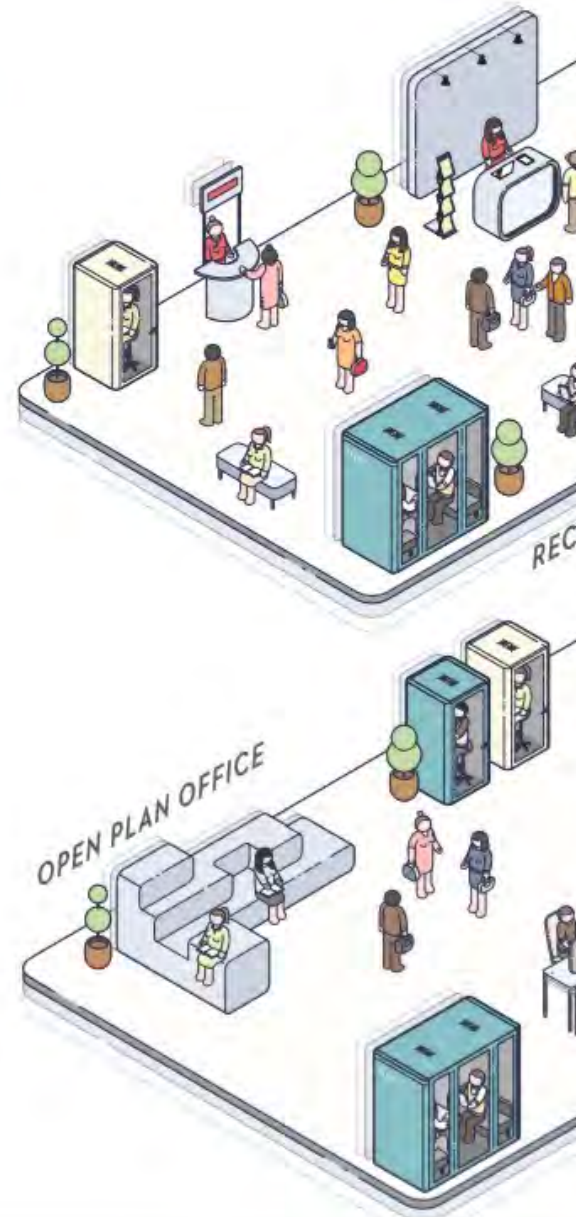
These offices face the problem of excessive, distracting noise caused by loud conversations, keyboard typing, telephone rings, loud footsteps, operating office equipment and more. An isolated space is essential for discussions, calls, and small meetings.

RECEPTION HALL

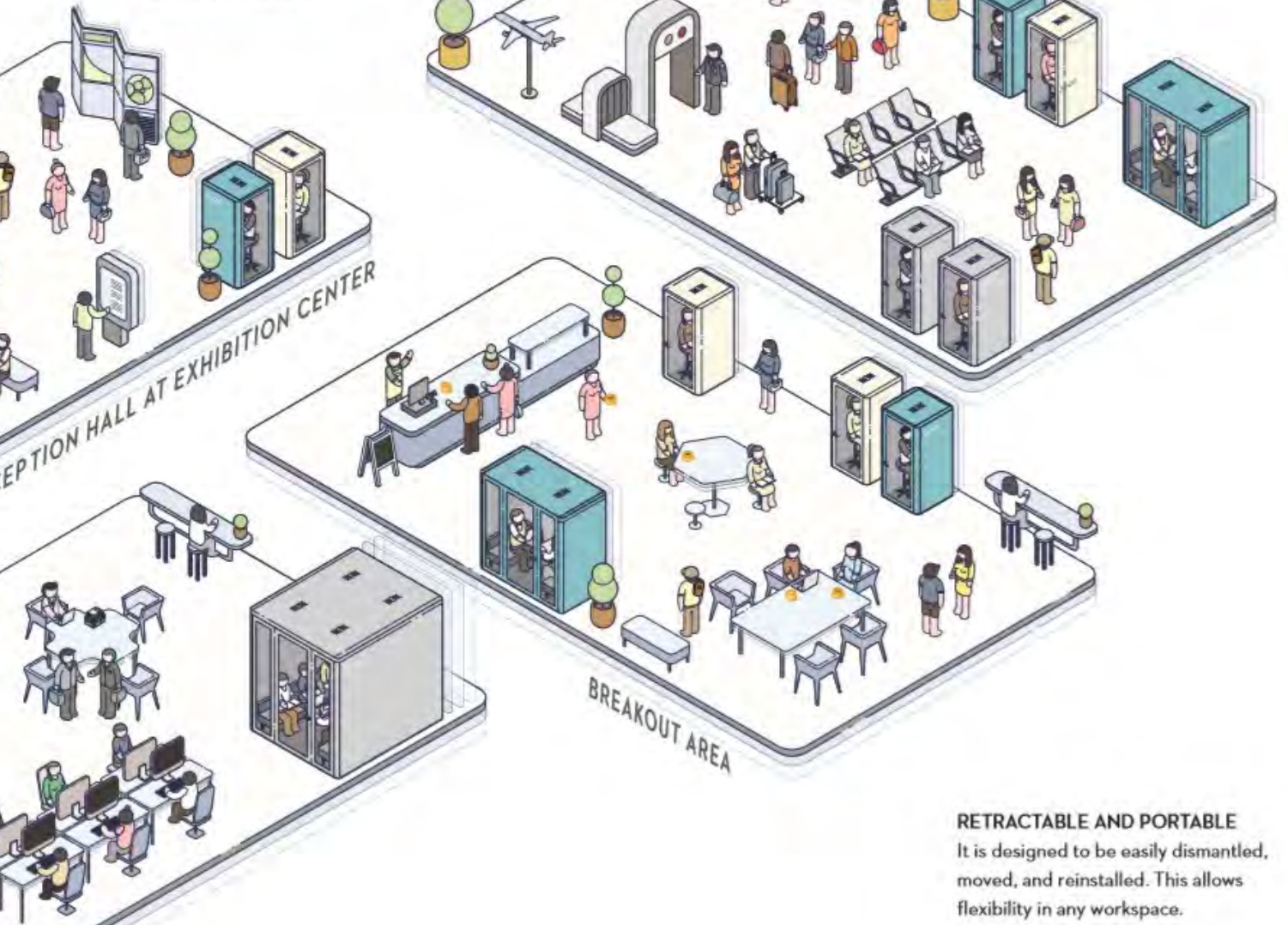
A reception hall is usually filled with people walking in and out. This high traffic and layout create an environment that traps noise, making it an unwelcoming experience. The POD is crucial in providing comfort and privacy for both visitors and employees.

BREAK-OUT AREA & CAFETERIA

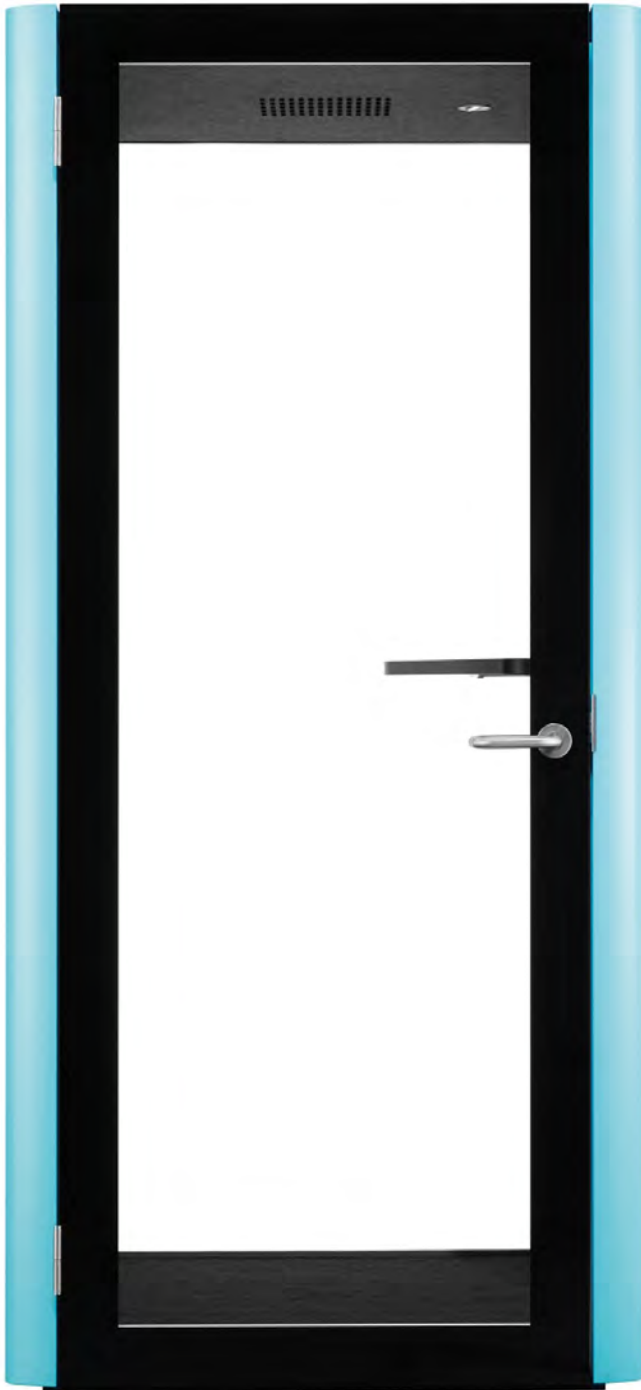
The company break-out areas and canteen are prone to noise and reverberation. Under these circumstances, the POD is a perfect space for a much needed moment of rest and rejuvenation.



ONE POD, MANY USES



RETRACTABLE AND PORTABLE
It is designed to be easily dismantled, moved, and reinstalled. This allows flexibility in any workspace.



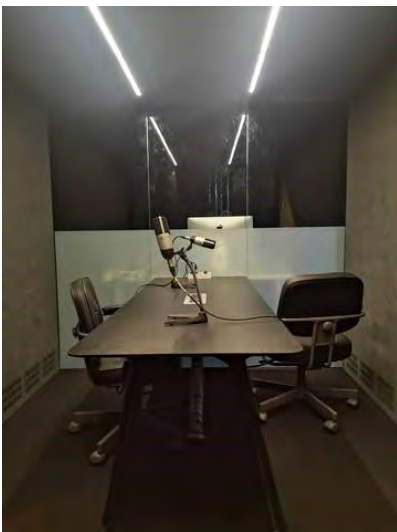
Applications

The POD is designed to accommodate you...

For use in (but not limited to) the following installations:

- Banking
- Open Plan Office/Workplace
- Co-Working Spaces
- Architects, & Interior Designers
- Recording studios
- Restaurants
- Home use
- Mining
- University
- Federal, State & Local Government
- Commercial
- Café's and restaurants
- Hotels and accommodation,
- Solicitors
- Courtrooms
- Finance and Insurance
- Arts and entertainment
- Business services & Marketing
- Education & Training
- Finance & Insurance
- Manufacturing & Industrial
- Organisations Public & Private
- Professional Services
- Property & Construction
- Security installations
- Top secret Spy Agencies
- Hospitals and nursing homes
- Department stores
- Defence Agencies
- Churches

Podcasting
Webinar
Recording
Broadcasting
Voice Over



The POD is designed to accommodate your needs ...

The POD range of PODS are perfect for a variety of applications, both commercial and residential.

The unique modular design and a variety of sizes provide you with maximum flexibility.

So no matter what your use might be, we have a model to suit...

Features

ALL METAL CONSTRUCTION - Exterior shell and frame are made from strong metal construction.

HIGH ACOUSTIC RATING - Beautifully designed using carefully selected materials with the best absorption and isolation performance. TUV-32dB/NIC

LED LIGHTING - These automatic LED lights allow for ample internal lighting

POWER & USB CHARGING OUTLETS - Continuous power supply for your gadgets and direct connection to your office network with internal outlets.

FIRE, FLAMMABILITY AND SMOKE RATING—The POD has been extensively tested to all the relevant STANDARDS.

10mm DOUBLE LAMINATED GLASS - The 10mm laminated glass provide excellent attenuation for a perfectly silent and isolated work environment, yet still provides inclusivity via transparent glass.

GRADE 1 LOCKSETS used in the door construction.

LAMINATED WORKTOP OR WORKING TABLE - On the S POD there is a laminated worktop big enough for your laptop, and in the D POD there is a large working table in the center of the POD.



Features continued

POWER TO WALL SOCKET - Standard 240V wall plug/socket connection.

VENTILATION - 2 or 4 ventilation fans ensuring you're able to work in a well ventilated space with great acoustic properties - Effective air circulation and comfortable seating allows for an uninterrupted work experience. 2 Fan speeds ensuring plenty of ventilation or quiet running.

COMFORTABLE & BREATHEABLE - Work comfortably in a well ventilated space with great acoustic properties.

MOTION SENSOR - The motion sensor detects movement and turns on the fans and lights automatically making the unit extremely energy efficient.

RETRACTABLE & PORTABLE - It is designed to be easily dismantled, moved and re-installed. Integrated bearings allows for ease of movement when required.

CAT6 OUTLET - The CAT6 outlet has been added for increased internet speed should it be required.

WIRELESS DIMMER - Light dimmer system allowing for lowering the light intensity for teleconference calls and presentations. WiFi connection to the receiver.



Acoustics

HIGH ACOUSTIC RATING - Beautifully designed and using carefully selected materials with the best absorption and isolation performance. TUV-32dB/NIC

Independently tested by TUV SUD Group, the POD range of Office/Acoustic Booths feature all metal construction and sound proofing walls with 10mm dual laminated glass walls and doors.

All joints are sealed using rubber sound absorbing extrusions to seal as much noise as possible for the user inside the Pod.

Polyester Fibre Acoustic Board is used inside the unit with Fibre Nylon Carpet on the floors.





Standards/Testing

thePOD TEST REPORTS

- **thePOD- Building Rules Assessment**– No BRC required if installed internally inside a building.
- Universal Socket Outlet Test report No. 7191140108-EEC16/PKS.
- Flammability of the Polyester Fiber Acoustic Panel– BS 476 Part 7:1997+Amd.No.C1:2014 Fire Tests on Building Materials & Structures Part 7
- ASTM E662 Smoke Density (Flaming) Standard Test Method for Specific Optical Density of Smoke Generated by Solid Materials also referenced as NFPA 258
- Flame Retardancy Test for Flexible Polyurethane Foam and Fire Retardant Foam
- Sound Testing: ASTM E596-96 (Reapproved 2009) "Standard Test Method for Laboratory Measurement of Noise Reduction of Sound-isolating Enclosures.
- Sound Testing: ASTM E413-04 "Classification of Rating Sound Insulation.



Specifications

Finishes

Colours



White



Black



Turquoise



Silver

	S POD
CHASSIS/BODY COLOUR SELECTION -	White, Black, Turquoise, Silver
EXTERIOR FINISH -	Epoxy powder coated electro galvanized 1.2mm thick steel sheet are available in 4 colours
INTERIOR COLOUR -	Polyester Fibre covered acoustic board in dark grey. Carpet is made from nylon and is in black.
EXTERNAL FINISH -	Epoxy Powder Coating
INTERNAL FINISH -	Polyester Fibre Acoustic Board
FLOOR FINISH -	Fibre Nylon Carpet - Black
GLASS DOOR -	Aluminium Frame with 10mm Laminated Glass
REAR GLASS -	10mm Laminated Glass
TABLE -	Melamine Chipboard with Black Edging (890 x 300 x 25)
POWER SOCKET -	1 x AH Myer Universal Socket (110/240Vac)
USB CHARGER -	1 No Twin x AH Meyer (110/240Vac)
DATA -	1NoS x Cat6
VENTILATION FAN -	2 x 120mm Dual Speed Bearing Ventilation Fan (12Vdc)
AIRFLOW -	1.5m ³ /min
MOTION SENSOR -	3 Customise Setting (15SEC, 45SEC & 5MIN) - (110/240Vac)
LIGHTING -	1NO x 11W Recessed Led Strip Light 4000K C/W Wireless Dimmer System
BEARING CASTOR -	4
FOOT CAP -	4
POWER CORD FROM BOOTH -	3 Metre (Right Hand Side)
FURNITURE -	Shelf
FREIGHT DIMENSIONS	2280 x 1140 x 670h
FREIGHT CUBIC	1.74m ³
PACKING WEIGHT	430kg
NET WEIGHT	350kg
POD INTERNAL DIMENSIONS	800 x 910 x 2000
POD EXTERNAL DIMENSIONS	1000 x 1000 x 2170

W POD**C POD**

CHASSIS/BODY COLOUR SELECTION -	White, Black, Turquoise, Silver	White, Black, Turquoise, Silver
EXTERIOR FINISH -	Epoxy powder coated electro galvanized 1.2mm thick steel sheet are available in 4 colours	Epoxy powder coated electro galvanized 1.2mm thick steel sheet are available in 4 colours
INTERIOR COLOUR -	Polyester Fibre covered acoustic board in dark grey. Carpet is made from nylon and is in black.	Polyester Fibre covered acoustic board in dark grey. Carpet is made from nylon and is in black.
EXTERNAL FINISH -	Epoxy Powder Coating	Epoxy Powder Coating
INTERNAL FINISH -	Polyester Fibre Acoustic Board	Polyester Fibre Acoustic Board
FLOOR FINISH -	Fibre Nylon Carpet - Black	Fibre Nylon Carpet - Black
GLASS DOOR -	Aluminium Frame with 10mm Laminated Glass	Aluminium Frame with 10mm Laminated Glass
REAR GLASS -	10mm Laminated Glass	10mm Laminated Glass
TABLE -	Melamine Chipboard with White Chamfered Edging (1090 x 700 x 25)	Melamine Chipboard with Black Chamfered Edging (2000 x 550 x 25)
POWER SOCKET -	2 x AH Myer Universal Socket (110/240Vac)	1 x AH Myer Universal Socket (110/240Vac)
USB CHARGER -	1 No Twin x AH Meyer (110/240Vac)	1 No Twin x AH Meyer (110/240Vac)
DATA -	1NoS x Cat6	1NoS x Cat6
VENTILATION FAN -	4 x 120mm Dual Speed Bearing Ventilation Fan (12Vdc)	4 x 120mm Dual Speed Bearing Ventilation Fan (12Vdc)
AIRFLOW -	3.2m3/min	3.2m3/min
MOTION SENSOR -	3 Customise Setting (15SEC, 45SEC & 5MIN) - (110/240Vac)	3 Customise Setting (15SEC, 45SEC & 5MIN) -(110/240Vac)
LIGHTING -	2NO x 11W Recessed Led Strip Light 4000K C/W Wireless Dimmer System	1NO x 11W Recessed Led Strip Light 4000K C/W Wireless Dimmer System
BEARING CASTOR -	6	6
FOOT CAP -	8	8
POWER CORD FROM BOOTH -	3 Metre (Right Hand Side)	3 Metre (Right Hand Side)
FURNITURE -	Laminated Table	Laminated Table
FREIGHT DIMENSIONS	2280 x 850 x 1420h	2280 x 1000 x 1420h
FREIGHT CUBIC	2.75m3	3.24m3
PACKING WEIGHT	540kg	800kg
NET WEIGHT	430kg	650kg
POD INTERNAL DIMENSIONS	1600 x 1120 x 2000	2000 x 1120 x 2000
POD EXTERNAL DIMENSIONS	1800 x 1200 x 2000	2200 x 1200 x 2170

Specifications

Finishes

Colours



White



Black



Turquoise



Silver

	D POD
CHASSIS/BODY COLOUR SELECTION -	White, Black, Turquoise, Silver
EXTERIOR FINISH -	Epoxy powder coated electro galvanized 1.2mm thick steel sheet are available in 4 colours
INTERIOR COLOUR -	Polyester Fibre covered acoustic board in dark grey. Carpet is made from nylon and is in black.
EXTERNAL FINISH -	Epoxy Powder Coating
INTERNAL FINISH -	Polyester Fibre Acoustic Board
FLOOR FINISH -	Fibre Nylon Carpet - Black
GLASS DOOR -	Aluminium Frame with 10mm Laminated Glass
REAR GLASS -	10mm Laminated Glass
TABLE -	Melamine Chipboard with Black Chamfered Edging (700 x 550 x 25)
POWER SOCKET -	1 x AH Myer Universal Socket (110/240Vac)
USB CHARGER -	1 No Twin x AH Meyer (110/240Vac)
DATA -	1NoS x Cat6
VENTILATION FAN -	4 x 120mm Dual Speed Bearing Ventilation Fan (12Vdc)
AIRFLOW -	3.2m ³ /min
MOTION SENSOR -	3 Customise Setting (15SEC, 45SEC & 5MIN) - (110/240Vac)
LIGHTING -	1NO x 11W Recessed Led Strip Light 4000K C/W Wireless Dimmer System
BEARING CASTOR -	6
FOOT CAP -	8
POWER CORD FROM BOOTH -	3 Metre (Right Hand Side)
FURNITURE -	Sofa & Laminated Table
FREIGHT DIMENSIONS	2280 x 1000 x 1420h
FREIGHT CUBIC	3.24m ³
PACKING WEIGHT	630kg
NET WEIGHT	500kg
POD INTERNAL DIMENSIONS	2000 x 1120 x 2000
POD EXTERNAL DIMENSIONS	2200 x 1200 x 2000

M POD

CHASSIS/BODY COLOUR SELECTION -	White, Black, Turquoise, Silver
EXTERIOR FINISH -	Epoxy powder coated electro galvanized 1.2mm thick steel sheet are available in 4 colours
INTERIOR COLOUR -	Polyester Fibre covered acoustic board in dark grey. Carpet is made from nylon and is in black.
EXTERNAL FINISH -	Epoxy Powder Coating
INTERNAL FINISH -	Polyester Fibre Acoustic Board
FLOOR FINISH -	Fibre Nylon Carpet - Black
GLASS DOOR -	Aluminium Frame with 10mm Laminated Glass
REAR GLASS -	10mm Laminated Glass
TABLE -	Melamine Chipboard with Black Chamfered Edging (2000 x 700 x 25)
POWER SOCKET -	2 x AH Myer Universal Socket (110/240Vac)
USB CHARGER -	1 No Twin x AH Meyer (110/240Vac)
DATA -	2NoS x Cat6
VENTILATION FAN -	12 x 120mm Dual Speed Bearing Ventilation Fan (12Vdc)
AIRFLOW -	9.6m ³ /min
MOTION SENSOR -	3 Customise Setting (15SEC, 45SEC & 5MIN) - (110/240Vac)
LIGHTING -	2NO x 11W Recessed Led Strip Light 4000K C/W Wire-less Dimmer System
BEARING CASTOR -	NIL
FOOT CAP -	24
POWER CORD FROM BOOTH -	3 Metre (Right Hand Side)
FURNITURE -	Laminated Table
FREIGHT DIMENSIONS	2 @ 2380 x 1100 x 1300h
FREIGHT CUBIC	6.8m ³
PACKING WEIGHT	1530kg
NET WEIGHT	1300kg
POD INTERNAL DIMENSIONS	2200 x 2920 x 2000
POD EXTERNAL DIMENSIONS	2400 x 3000 x 2170



Serenity in Style

The **POD** showcases sleek curves and contemporary arches that bring modern sophistication to any work space.

It is designed to fit seamlessly yet add an air of calm and serenity to even the busiest of work environments.

Minimalist design complement elegant furnishings to create the ultimate workspace that is ergonomic, convenient and conducive.

Effective air circulation and comfortable seating allows for uninterrupted work experience.

Meanwhile, it's screens provide excellent attenuation for a perfectly silent and isolated work environment.

Are you ready to upgrade?



Sound Proof

Built with carefully selected materials with the best absorption to deliver a high acoustic rating.



Energy Efficient

Sensor-Based on-off switch with an internal LED light and in-use ventilation fan.



Ventilated

Fitted with either 2 or 4 ventilation fans with 2 speeds to keep you cool and comfortable.



5 Year Warranty

Our Pods come with a 5 year structural warranty so you can purchase with confidence.

For inquiries about The POD, please contact RJ Office on +612 9299 9090 or email us at info@rj.com.au