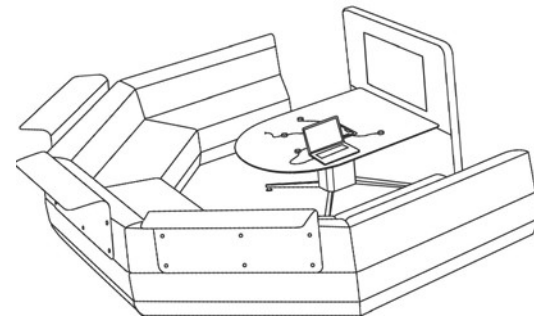


Media Island

Gather. Share. Innovate.

Share your vision with Media Island.





Media Island

MY Style

MY Coffee

MY Meeting

Media Island

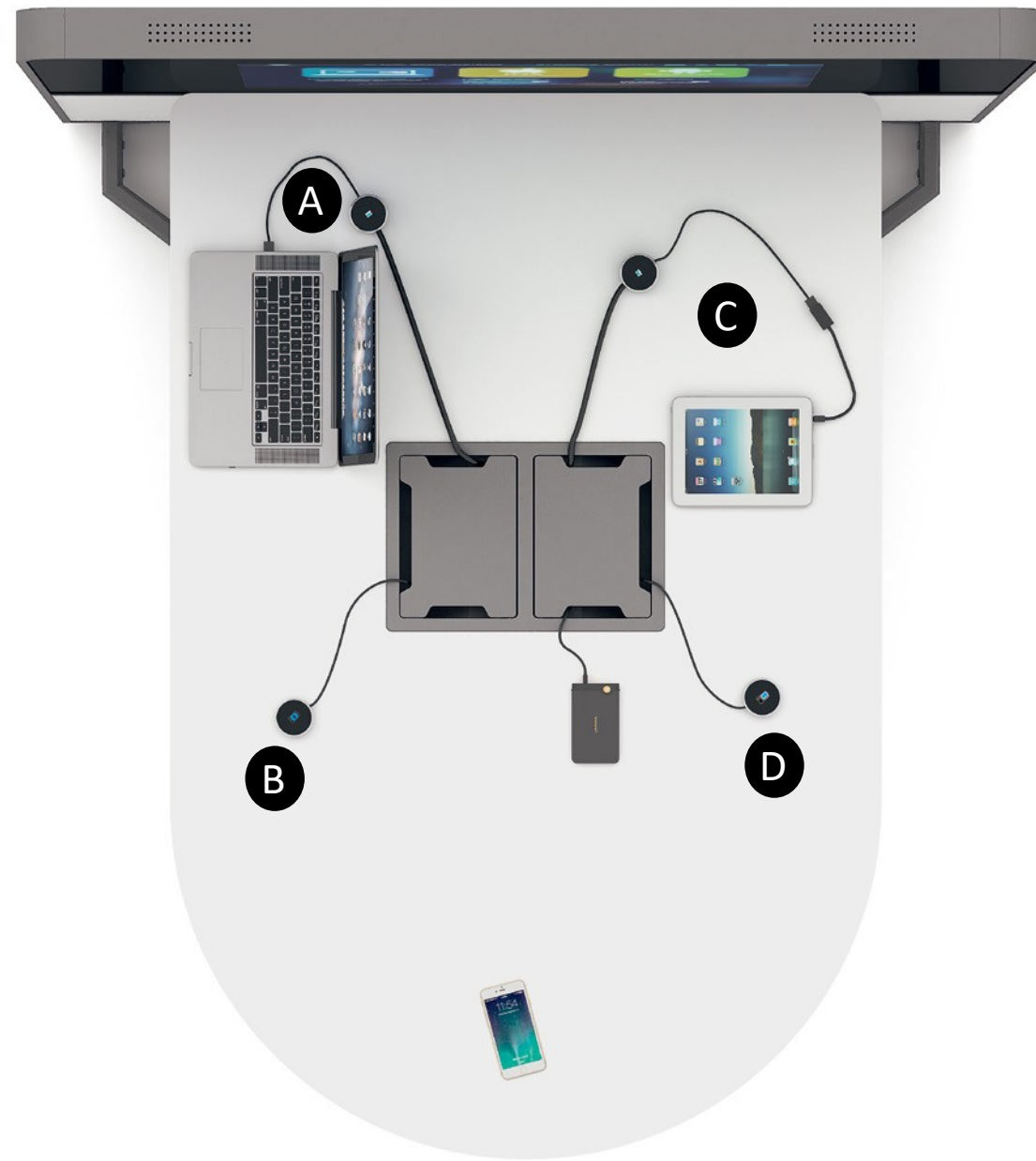
Modern businesses require fast, collaborative ways to gather and share ideas at a moment's notice. Media Island is a contemporary, graceful way for teams to embrace this approach by interacting, developing and sharing ideas around one conveniently designed location.

The Media Island system allows users to physically or wirelessly connect multiple electronic devices from iOS, Android or Windows operating systems. Within seconds these devices can share information to the group viewing screen at the touch of a button, allowing more than one device to be viewed at a time.

Gather. Share. Innovate.

The complexity commonly associated with connecting to share screens has been removed. The easy-to-use iMeeting system has a simple four button configuration. These buttons allow you to rapidly connect multiple devices regardless of platform, yet also offer the flexibility to display numerous presentations.

Media Island brings working minds to a single destination. It helps your company increase productivity and reduces the need for complex systems, allowing your business to focus on the work at hand.



Button A: With one touch you can link to your notebook with the help of an HDMI or Mini HDMI connector. Link to your Mac or iOS device with a Mac connector (included in our connector-kit). Easily share information from all devices to the generous group screen.



Button B: Wirelessly connect your mobile devices (Android, iOS or Windows) to the system within seconds by pressing the button to push your device to the group screen.



Button C: Connect via HDMI or Mini HDMI to your notebook, or plug in your Mac connector to share information from your iOS devices. Each setup is simple, fast and easy to share with the press of a button. Bringing multiplicity to your business meetings.



Button D: Button D selects the user supplied built-in PC. Built-in cabling makes USB ports readily available under the in-desk flip box. This allows USB flash drives and USB hard disks of all kinds to connect and share information. The user supplied PC can be any Mini PC form factor computer or Mac Mini, allowing the opportunity to customise the Media Island to suit your specific operating system, network and software requirements.





A Collaborative Destination



The way people work has changed. Our working environments need to adapt in order to keep up with evolving working methods. The digital age has created a mobile working environment that requires responsive, team-led collaborations at any time of the day.

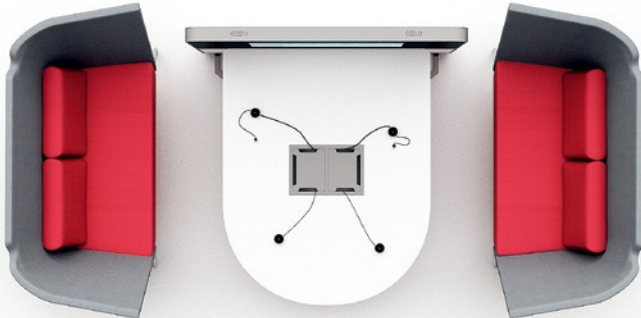
Media Island meets modern business expectations by being designed with mobility in mind. The system is business-orientated yet also provides a casual environment for relaxed gatherings and workshops.



Your Style, Your Meeting Place

Every working environment has its own ambience, style and configuration. Your meeting areas are the life and soul of any group interaction. Areas that require a sense of ownership, personality and comfort. Our systems can be customised to be as private or universal as you need.

Our high-back sofa set provides a casual privacy screen for staff and customers to share information without feeling stifled. The iMeeting systems can be placed conveniently between the two, bringing ideas to the table.





Leisure Space

Media Island can also be used as a leisure space. Perfect for open areas, communal spaces, hotels or clubs. From one-on-one discussions, team workshops to product launches or presentations, Media Island as a leisure space is accessible, concerted and creates a talking point for multiple voices to be heard.

The iMeeting system in a relaxed setting presents a barrier-free environment for group discussions or even dialling in long distance meetings to bring people together.



A Hub That Never Sleeps

Work spaces constantly evolve. Staff work nomadically on mobile devices or laptops, hot-desking and traveling remotely. Media Island is a workspace asset that can be as active or dormant as you need it to be. Moving with your company's behavioural habits rather than against them.

The group screen can easily play digital or video content when the space is not in use. Connected from any device in the vicinity, use this valuable real estate to broadcast company reels, staff education content or advertisements.





Modular Team Building

Companies thrive on collaboration, the sharing of information, team-building and the exchange of knowledge. Media Desk encourages group discussion and a development space for big picture thinking by placing hubs in a communal setting.

The Media Desk solution is the perfect modular environment for student learning, focus teams, idea labs and product development.



15 Shared Reading Environment

Productive working environments can benefit from isolated reading spaces where focus, quiet time and retention of information are required. The hustle of day-to-day business can be distracting to the business at hand.

Media Desk provides a 4 cubic metre meeting area in a reading room format. A welcoming design created to allow collaborative reading. Sit together within an intimate setting while sharing reading materials on the group screen. The iMeeting system distributes shared information between libraries so that readers with similar tastes can host group reading sessions. Media Desk helps your business stack your reading sessions, reducing valuable time that can often be wasted on repeat readings.





Creative Space For Creative Minds

Innovation and the creation of ideas are at the forefront of business development in the digital age. The best ideas are formed when groups of people share knowledge, insight and form creative solutions for business issues.

The Media Desk creates an instant feeling of space, freedom and focus. By bringing people together around an agnostic, central information screen, Media Desk nurtures creative thinking.





Raising The Bar For Collaboration

Modern workspaces continue to offer clients varied meeting places, catering for both professional or more casual affairs. Private meeting rooms are sometimes limited and the need for a fast, quick-to-setup, broadcast friendly platform is required.

For a less formal solution, we offer the Media Bar. Clients are able to step straight into the space, position themselves on stools, creating an environment that encourages productive sessions. Essential for research and development reviews, creative response or data updates, the Media Bar is a friendly way to gather at any given moment.

Change The Way You Work

With co-working, hot-desking and malleable work spaces becoming more and more popular, businesses need options for short term growth and long-term options. Media Bar offers break out meeting spaces where dedicated information can be shared with individuals, partnerships and small teams.

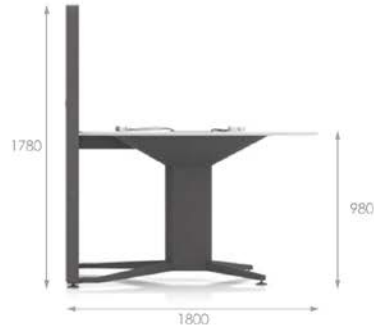
The beauty of the iMeeting system allows any and all of these combinations to share as many or as little screens as they desire. A completely flexible way for people to come together and choose when and what information they bring to the table.

Parameter

Screen	Size	43"	32"
	Size	941.18(H)X529.41(V)	698.4(H)X392.9(V)
	Display Type	LED	
	Resolution	1s20•1osoP	
	Intensity	360cd/m ¹	
	Contrast	4000:01:00	
	View Angle	178	
	Brand	LG/SAMSUNG/AUD	
System	Round Button	4	
	USB Port	4	
	Power Line	4	
	Wireless Connector	1	
Power	Voice Outout Power	2X15W	
	Input Power	100-240V	
	Power Consumption	100W	



Media Bar/Desk/Island Series



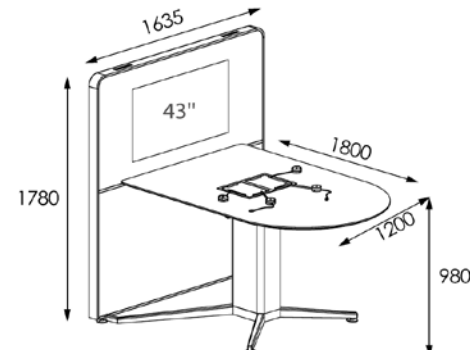
Media Bar



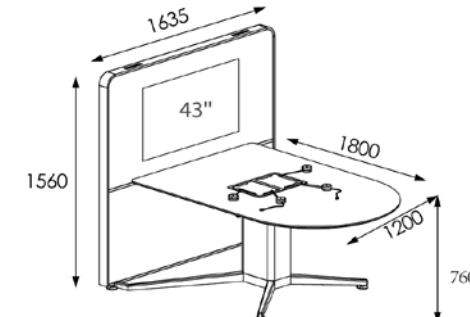
Media Desk



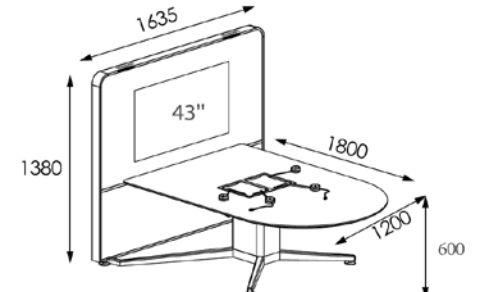
Media Island



Media Bar



Media Desk



Media Island

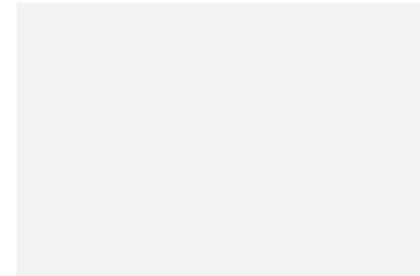
Colour Swatch

Metal Frame



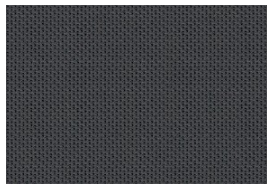
Silver Grey

Table Top

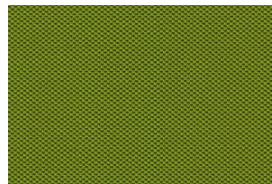


White

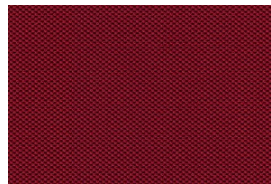
Sofa



AR177-02



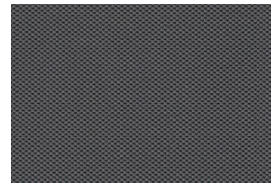
AR177-03



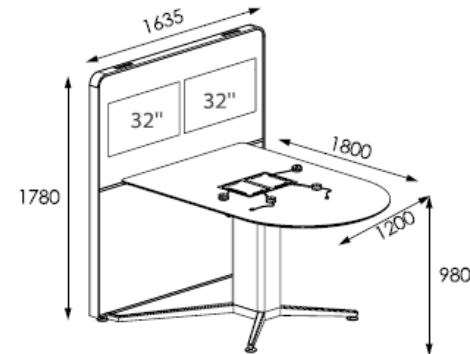
AR177-06



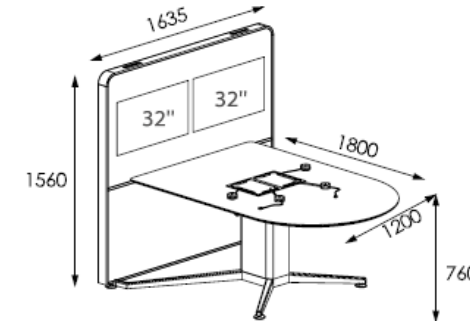
AR177-08



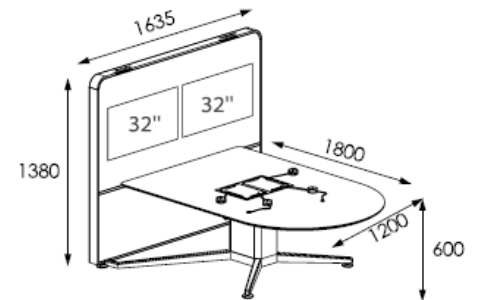
AR178-02



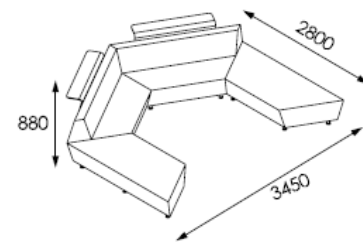
Media Bar



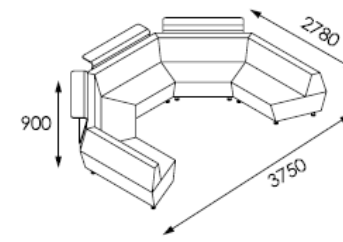
Media Desk



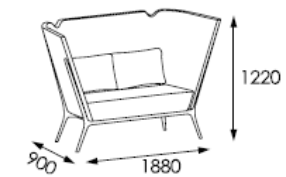
Media Island



Sectional Sofa



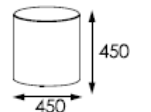
Sectional Sofa



Fan Shaped Sofa



Bar Stool



Stool