



СНУБЫ



CHUBBY

CHUBBY is an intuitive approach to your office space needs. With its contemporary feel and modern aesthetic, Chubby is a series of thoughtfully designed tables that support collaboration and creativity in any space.

Different types of tasks call for different types of settings. The CHUBBY series comes in a variety of configurations to suit the unique needs of your own office space. From three legged round tables to Back-to-back workstations, the versatility of the CHUBBY series creates environments where creativity and collaboration flourish.

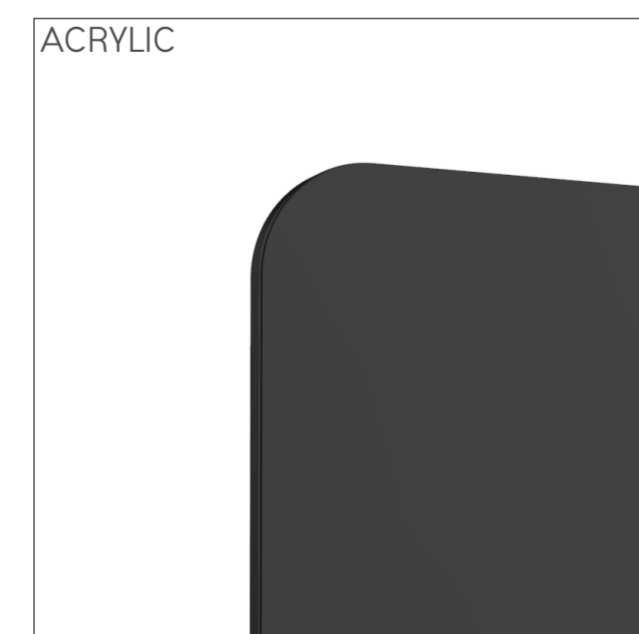
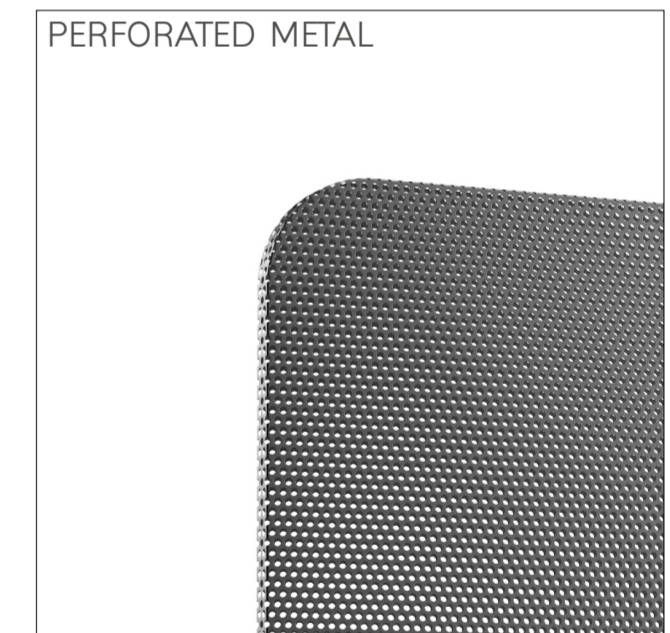


Minimal in nature, the intrinsic natural elements of CHUBBY bring warmth and comfort to your work place. With a collection of tasteful finishes to choose from, you can tailor CHUBBY to complement the existing look of your office space, or create a bold statement.



Privacy screen finishes

Screens are also available in the following finishes:



Created with integrated tabletop power and a sophisticated cable management system, CHUBBY is designed to keep your devices powered up as discretely as possible.

01 The CHUBBY Back to Back Workstation.
The CHUBBY workstation offers a variety of configurations, available in Back to Back, 120 Degree and Single Desk variations

02 Single or Two Tier cable trays
CHUBBY offers both single and two tier cable tray solutions, reticulating power and data cables efficiently to free the workspace for you.

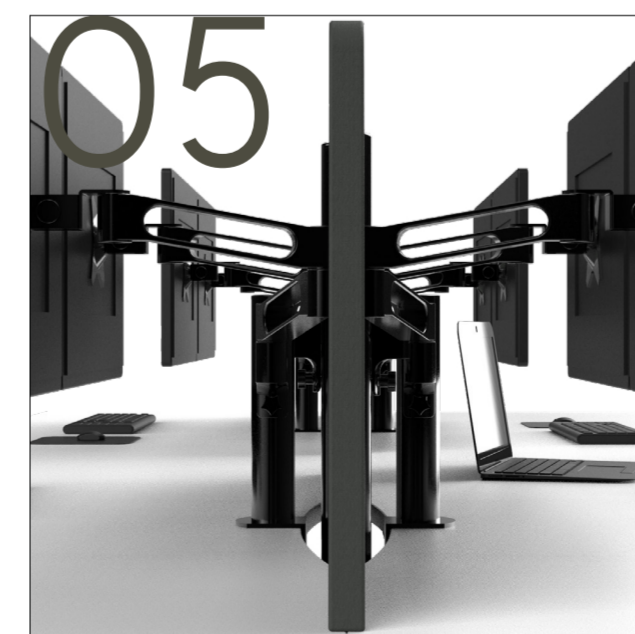
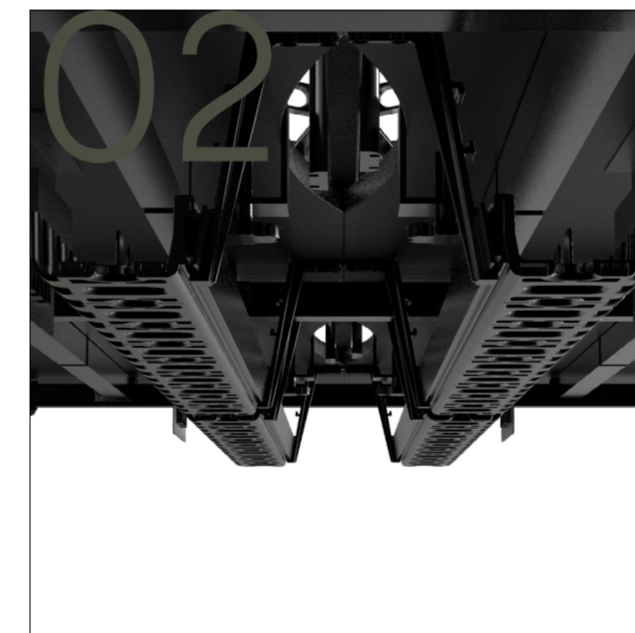
03 Power, voice and data outlets
CHUBBY power, voice and data outlets are carefully concealed below the desk, decluttering the your workspace.

04 In-desk power boxes or above desk power rails
CHUBBY adaptable power options allow you to conceal power and data cables using its in-desk power box, or externalise them using CHUBBY above desk power rails.

05 CHUBBY's Cable arms
Durable and tactile, CHUBBY's monitor arms are designed to withstand the everyday wear and tear of modern office spaces.

06 CHUBBY Edge profiles
Available in 25mm melamine, laminate or plywood, CHUBBY offers both square and round edge profiles.

07 CHUBBY accessories
The CHUBBY series comes with a family of accessories and adjustable add-ons, allowing you to tailor CHUBBY for your own individual workspace needs.



CHUBBY can be adapted to individual requirements with a combination of accessories, allowing you to tailor the working space for your working needs.



CHUBBY

TECHNICAL SPECIFICATIONS

CHUBBY

WORKSTATIONS

CHUBBY single workstation

Materials Information

1. Tops

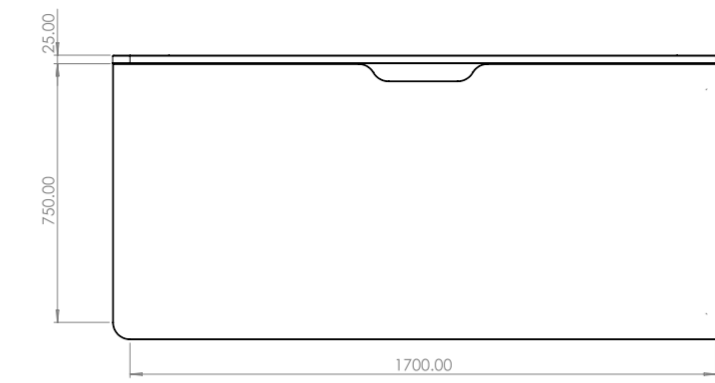
25mm commercial Melamine, Laminate or Veneer worktops. Solid wood or ABS edging.

2. Legs and Frame

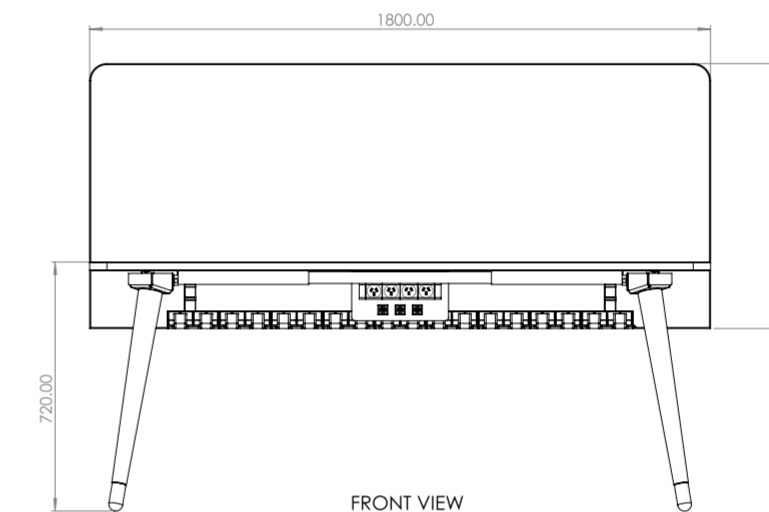
CHUBBY's Legs are all manufactured using Oak timber, available in a range of stains. Contact our team to find out more about our stain options.

3. Frame Finishes

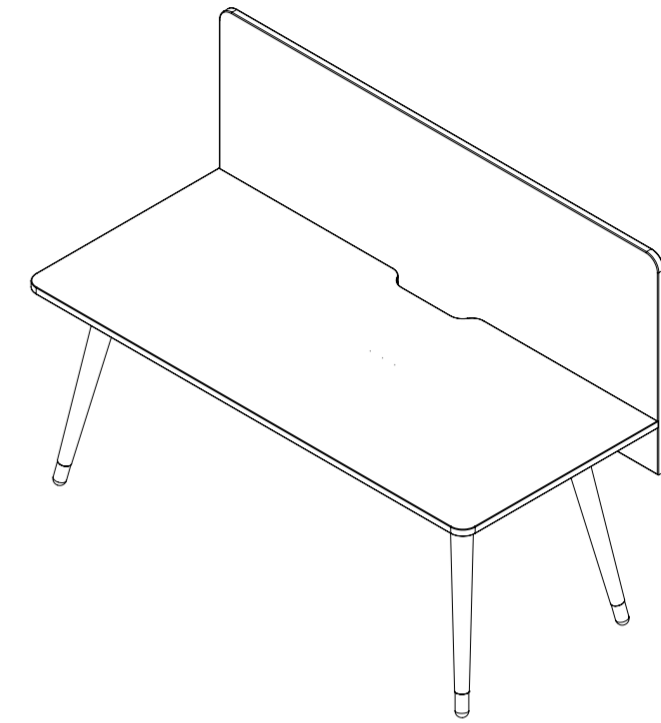
CHUBBY's frames are all manufactured using powder-coated Steel. White or Black powder-coat comes as standard. Other Colours can be made available as specified.



TOP VIEW



FRONT VIEW



CHUBBY Back-to-back cluster workstation

Materials Information

1. Tops

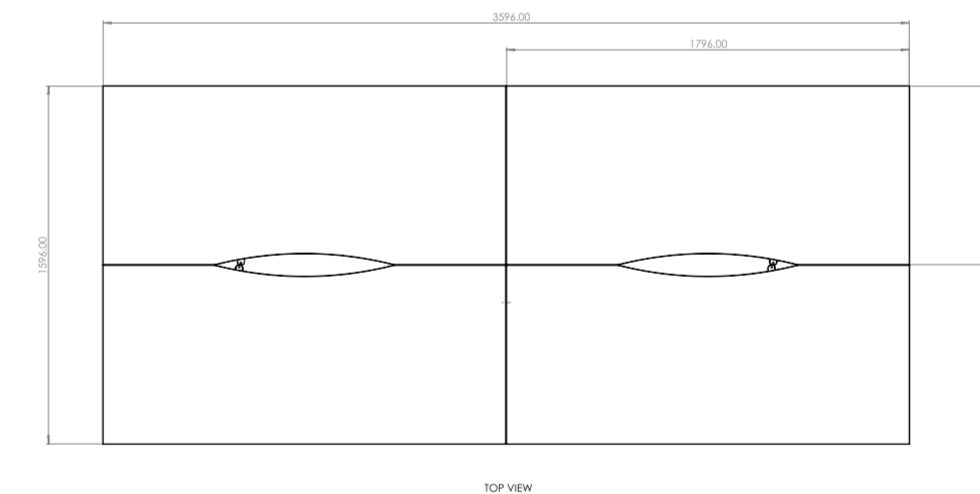
25mm commercial Melamine, Laminate or Veneer worktops. Solid wood or ABS edging.

2. Legs

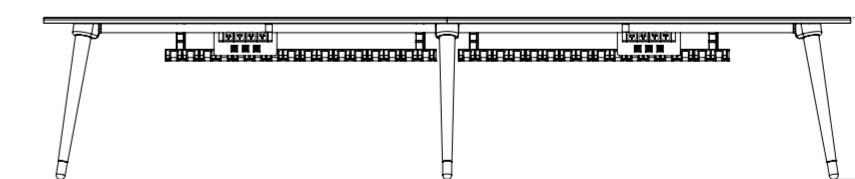
CHUBBY's Legs are all manufactured using Oak timber, available in a range of stains. Contact our team to find out more about our stain options.

3. Frame Finishes

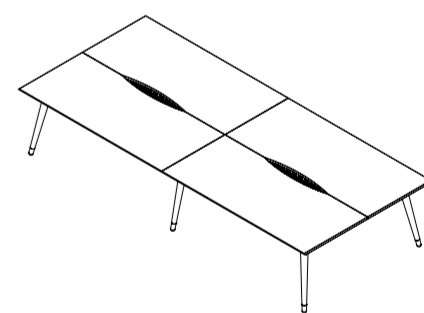
CHUBBY's frames are all manufactured using powder-coated Steel. White or Black powder-coat comes as standard. Other Colours can be made available as specified.



TOP VIEW



FRONT VIEW



CHUBBY

TABLES

CHUBBY round three leg table

Materials Information

1. Tops

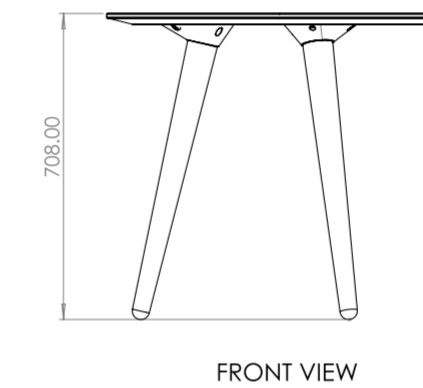
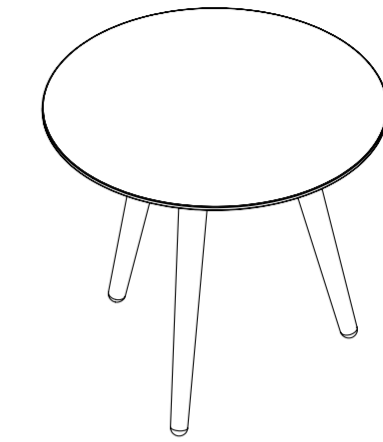
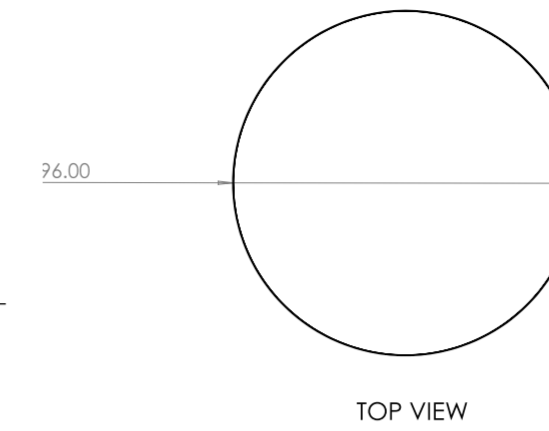
25mm commercial Melamine, Laminate or Veneer worktops. Solid wood or ABS edging.

2. Legs and Frame

CHUBBY's Legs are all manufactured using Oak timber, available in a range of stains. Contact our team to find out more about our stain options.

3. Frame Finishes

CHUBBY's frames are all manufactured using powder-coated Steel. White or Black powder-coat comes as standard. Other Colours can be made available as specified.



CHUBBY round four leg table

Materials Information

1. Tops

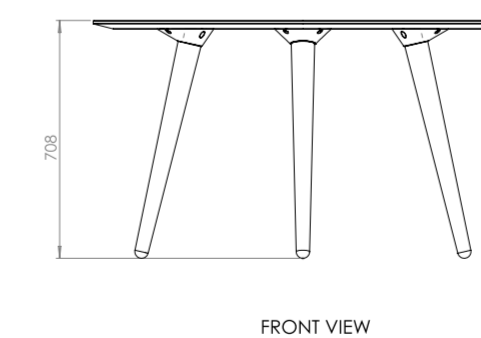
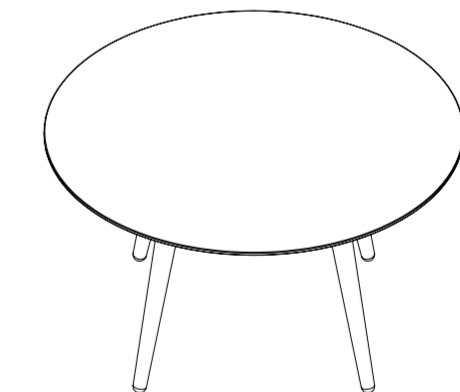
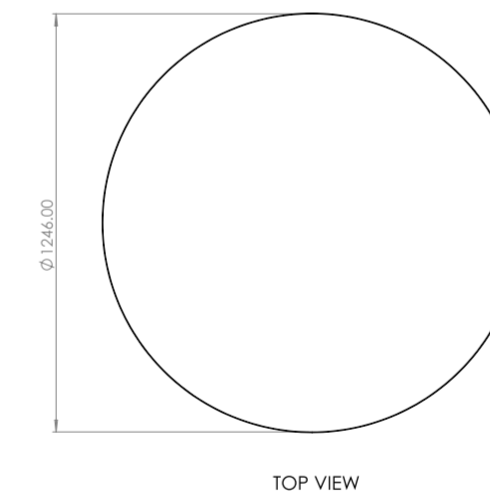
25mm commercial Melamine, Laminate or Veneer worktops. Solid wood or ABS edging.

2. Legs

CHUBBY's Legs are all manufactured using Oak timber, available in a range of stains. Contact our team to find out more about our stain options.

3. Frame Finishes

CHUBBY's frames are all manufactured using powder-coated Steel. White or Black powder-coat comes as standard. Other Colours can be made available as specified.



CHUBBY

TECHNICAL SPECIFICATIONS

CHUBBY

TABLES

CHUBBY square table

Materials Information

1. Tops

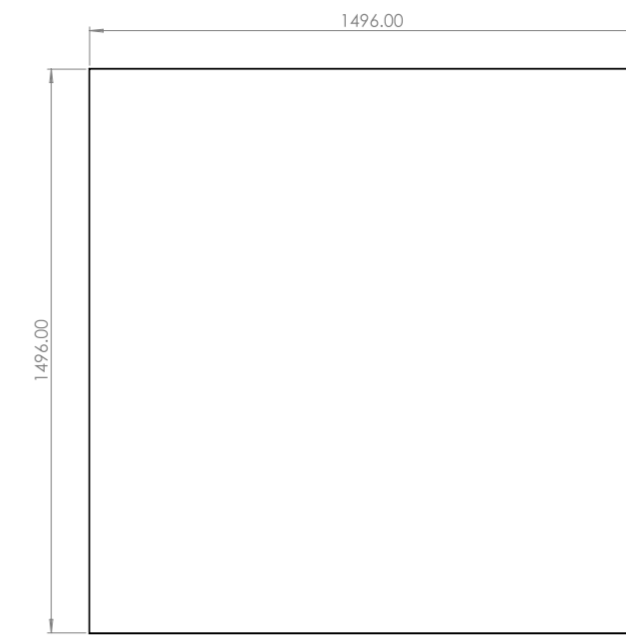
25mm commercial Melamine, Laminate or Veneer worktops. Solid wood or ABS edging.

2. Legs and Frame

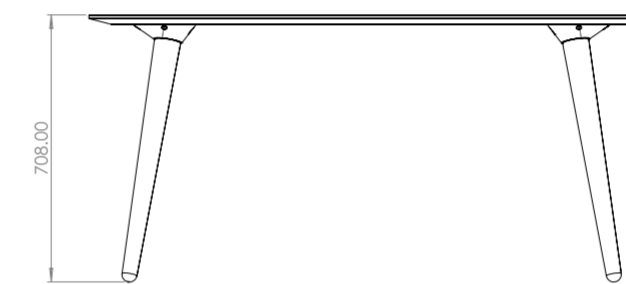
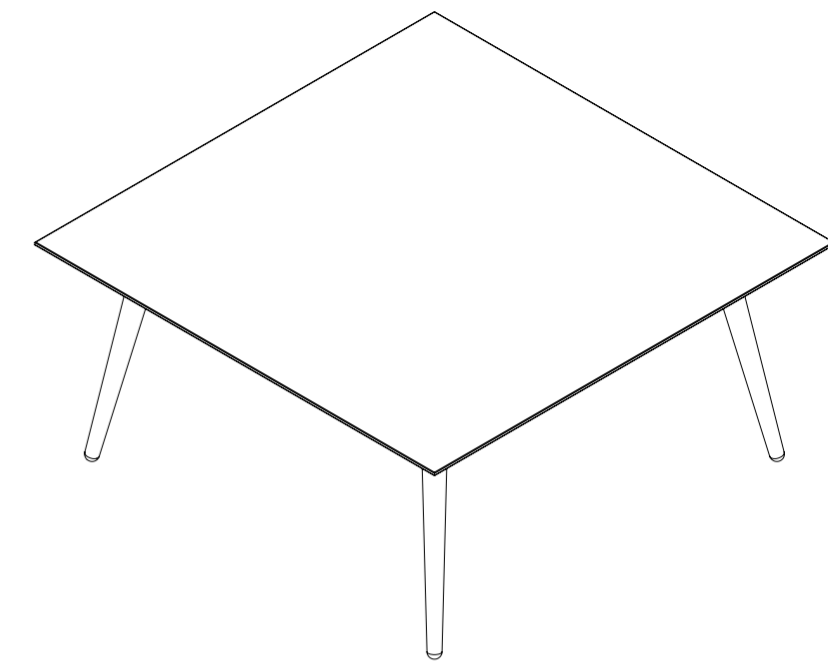
CHUBBY's Legs are all manufactured using Oak timber, available in a range of stains. Contact our team to find out more about our stain options.

3. Frame Finishes

CHUBBY's frames are all manufactured using powder-coated Steel. White or Black powder-coat comes as standard. Other Colours can be made available as specified.



TOP VIEW



FRONT VIEW

CHUBBY

FINISHES SPECIFICATIONS

CHUBBY

FINISHES

Adroit and versatile, CHUBBY yields the importance of adaptability for your own needs, offering a range of finishes and configurations to suit any office space.

1. Tops

25mm commercial Melamine, Laminate or Veneer worktops. Solid wood or ABS edging.



2. Legs

CHUBBY's Legs are all manufactured using Oak timber, available in a range of stains. Contact our team to find out more about our stain options.



3. Frame Finishes

CHUBBY's frames are all manufactured using powder-coated Steel. White or Black powder-coat comes as standard. Other Colours can be made available as specified.





CHUBBY

CHUBBY IS AN INTUITIVE APPROACH TO YOUR OFFICE SPACE NEEDS. WITH ITS CONTEMPORARY FEEL AND MODERN AESTHETIC, CHUBBY IS A SERIES OF THOUGHTFULLY DESIGNED TABLES THAT SUPPORT COLLABORATION AND CREATIVITY IN ANY SPACE.

SUSTAINABILITY POLICY

WE BELIEVE A TRULY SUSTAINABLE BUSINESS SHOULD EMBRACE ENVIRONMENTAL, SOCIAL AND CULTURAL VALUES. OUR PHILOSOPHY MEANS THAT WE EXAMINE EVERYTHING WE DO TO MINIMISE OUR IMPACT ON THE ENVIRONMENT STARTING WITH THE DESIGN OF OUR PRODUCTS, THE SELECTION OF MATERIALS, MANUFACTURING, ASSEMBLY AND INSTALLATION, PRACTICES IN OUR OFFICES AND ACCEPTING THE RESPONSIBILITY FOR OUR PRODUCTS' LIFE CYCLES.

ENVIRONMENTAL POLICY

RJ OFFICE HAS BEEN ON A SUSTAINABILITY JOURNEY SINCE 2008, ACHIEVING ENVIRONMENTAL PRODUCT CERTIFICATION AND IN 2009 ATTAINING ISO14001 EMS CERTIFICATION. AS PART OF OUR ENVIRONMENTAL MANAGEMENT SYSTEM, WE ARE COMMITTED TO CONTINUALLY IMPROVING OUR ENVIRONMENTAL PRACTICES TO ENSURE THAT WE MAINTAIN A BALANCE BETWEEN THE ENVIRONMENT AND OUR BUSINESS.

PRODUCT STEWARDSHIP POLICY

OUR PRODUCT STEWARDSHIP POLICY FOR RJ PRODUCTS PROVIDES USERS WITH A NUMBER OF OPTIONS.

WE ENCOURAGE OUR CUSTOMERS TO CONTACT US ABOUT RETURN OF OUR PRODUCTS. IF THE PRODUCTS CANNOT BE REUSED OR REFURBISHED, RJ OFFICE COMMITS TO TAKE THE PRODUCTS BACK, AT AN AGREED COST AND ENSURE THAT THEY ARE DISASSEMBLED AND THE COMPONENTS ARE RECYCLED OR WHERE APPROPRIATE DISPOSED OF RESPONSIBLY.

PHONE: (02) 9299 9090

RJ OFFICE P/L
COPYRIGHT 2020
ALL RIGHTS RESERVED

SHOWROOM

25 SHELLEY ST
KING STREET WHARF
SYDNEY NSW 2000
T: +61 2 9299 9090

LOGISTICS

BUILDING 2
112 LILYFIELD ROAD
LILYFIELD NSW 2040
T: +61 2 9818 8788

info@rj.com.au
rj.com.au



IMAGINE, INNOVATE, CREATE.

WWW.RJ.COM.AU